



Laryngoscopes
Laryngoskope

Dear Customer,

Tritone Inc (Parent company Stone Instruments Co.) is a family owned & operated medical company, providing personalized service featuring the finest in surgical instrumentation since 1996. Our surgical instruments encompass the entire human anatomy including specialty products to precision instruments and devices.

Owner of Stone Instruments Co, Athar Jamil and his sons, Nabeel Athar, Hamza Athar and Raheel Athar bring with them a lifetime of experience creating the highest quality products made at our state-of-the-art in-house manufacturing facilities featuring, cutting edge robotic technology, handmade workmanship combined with an understanding how to make exactly what our valued customers have come to expect.

We thank you for the opportunity to present our portfolio!

Sincerely,

A handwritten signature in black ink, appearing to read 'Athar Jamil', with a horizontal line extending to the left.

Athar Jamil

ENT Diagnostic Set



TI-54-100-01
Standard Illumination
 Otoscope Head - 3x Magnification
 Screw Lock fitting System
 Ophthalmoscope Color Coded 24 lenses wheel from -20 to +40
 Rubber Eye Brow Rest
 Handle requires 2x C size batteries
 Reusable speculas of 2mm, 3mm, 4mm
 Spreadable Nasap Speculum
 Bent Arm Illuminator
 Tongue Depressor
 Tongue Blade Holder
 Mouth Mirror 3mm and 4mm
 Brass chrome plated and Plastic Construction

TI-54-200-01
Standard Illumination
 Otoscope Head - 3x Magnification
 Bayonet Lock Fitting System
 Ophthalmoscope Color Coded 24 lenses wheel from -20 to +40
 Rubber Eye Brow Rest
 Handle requires 2x C size batters
 Reusable Speculas of 2mm, 3mm, 4mm
 Specula adaptor
 20pcs of Disposable Cannulas
 Spreadable Nasap Speculum
 Bent Arm Illuminator
 Tongue Depressor
 Tongue Blade Holder
 Mouth Mirror 3mm and 4mm
 Brass Chrome plated and Plastic Construction

TI-54-300-01
Fiber Optic Diagnostic Set
 Fiber Optic Illumination
 Otoscope Head - 3x Magnification
 Bayonet Lock Fitting System
 Ophthalmoscope Color Coded 24 lenses wheel from -20 to +40
 Rubber Eye Brow Rest
 Handle requires 2x C size batters
 Reusable Speculas of 2mm, 3mm, 4mm
 Spreadable Nasal Speculum
 Bent Arm Illuminator
 Tongue Depressor
 Specula Adaptor
 20pcs of Disposable Cannulas
 Brass Chrome plated and Plastic Construction

Specification:

- Available in Halogen and LED Illumination
- Bulbs 2.5V
- Hard Case and Soft Pouch available

Dermatoscope

Standard Illumination



TI-55-100-01

Standard Illumination

- 10x variable focus lens
- Sterilizable contact plate
- Etched onto the lens in mm
- Large Knurled Focusing Ring
- Bayonet Lock fitting System
- Handle requires 2x C size batteries
- Brass chrome plated and Plastic Construction



TI-55-200-01

Standard Illumination

- 10x variable focus lens
- Sterilizable contact plate
- Etched onto the lens in mm
- Large Knurled Focusing Ring
- Bayonet Lock fitting System
- Handle requires 2x AA size batteries
- Brass chrome plated and Plastic Construction

Specification:

- Available in Halogen and LED Illumination
- Bulbs 2.5V
- Hard Case and Soft Pouch available

Standard Accessories

Nasal Speculum



TI-31-200-15



TI-32-200-15



TI-33-200-15

Bulbs



TI-34-200-15



TI-35-200-15



TI-36-200-15



TI-37-200-15

Ear Speculas



TI-38-200-15



TI-39-200-15



TI-40-200-15



TI-41-200-15

Ear Speculas & Testing Tube



TI-42-200-15



TI-43-200-15



TI-44-200-15

Packaging Options



TI-45-200-15



TI-46-200-15



TI-47-200-15



TI-48-200-15

Mc – Intosh Laryngoscopes

Standard Illumination

Adult Size



TI-20-100-00
Mc - Intosh Blade Standard Illumination
Size: 0



TI-20-100-01
Mc - Intosh Blade Standard Illumination
Size: 1



TI-20-100-02
Mc - Intosh Blade Standard Illumination
Size: 2



TI-20-100-03
Mc - Intosh Blade Standard Illumination
Size: 3



TI-20-100-04
Mc - Intosh Blade Standard Illumination
Size: 4

TI-20-200-15
Handle Standard Illumination
Size: Adult
Handle options: Child & Stubby

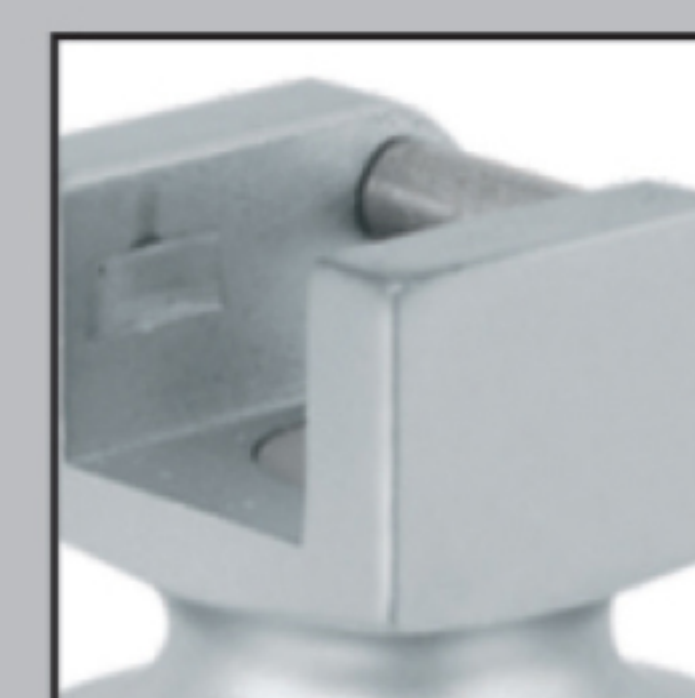
Standard Sets

Contents	Code
Set of 3 Blades Size 0, 1, 2 and Adult Handle	TI-20-200-30
Set of 3 Blades Size 1, 2, 3 and Adult Handle	TI-20-200-31
Set of 4 Blades Size 0, 1, 2, 3 and Adult Handle	TI-20-200-40
Set of 4 Blades Size 1, 2, 3, 4 and Adult Handle	TI-20-200-41

Sets available in hard case or soft pouch

Specification:

- Manufactured From AISI 304 Stainless Steel
- All Blades and Handles Compatible with ISO 7376 Standard
- Autoclavable
- Available in Halogen and LED Illumination
- Bulbs 2.5V
- Handles requires 2 x C size batteries
- Hard Case and Soft Pouch available



Head



Handle



Blade

Mc – Intosh Laryngoscopes

Fiber Optic Illumination

Adult Size



TI-21-100-00

Mc - Intosh Blade Fiber Optic Illumination
Size: 0



TI-21-100-01

Mc - Intosh Blade Fiber Optic Illumination
Size: 1



TI-21-100-02

Mc - Intosh Blade Fiber Optic Illumination
Size: 2



TI-21-100-03

Mc - Intosh Blade Fiber Optic Illumination
Size: 3



TI-21-100-04

Mc - Intosh Blade Fiber Optic Illumination
Size: 4

TI-21-200-15

Handle Fiber Optic Illumination
Size: Adult
Handle options: Child & Stubby

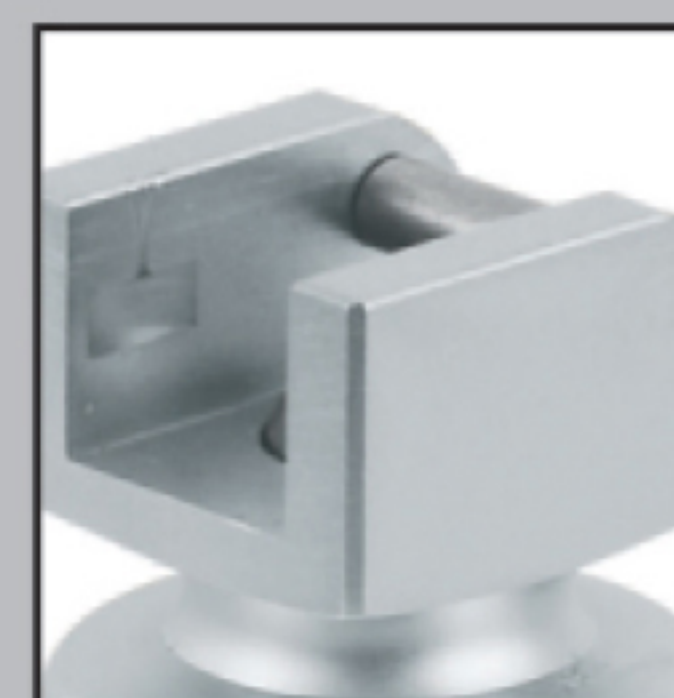
Standard Sets

Contents	Code
▪ Set of 3 Blades Size 0, 1, 2 and Adult Handle	▪TI-21-200-30
▪ Set of 3 Blades Size 1, 2, 3 and Adult Handle	▪TI-21-200-31
▪ Set of 4 Blades Size 0, 1, 2, 3 and Adult Handle	▪TI-21-200-40
▪ Set of 4 Blades Size 1, 2, 3, 4 and Adult Handle	▪TI-21-200-41

Sets available in hard case or soft pouch

Specification:

- Fiber Optic Handle with 3.5mm dia for improved light transmission and longer life.
- Manufactured From AISI 304 Stainless Steel
- All Blades and Handles Compatible with ISO 7376 Standard
- Autoclavable
- Available in Halogen and LED Illumination
- Bulbs 2.5V
- Handles requires 2 x C size batteries



Head



Handle



Blade

Miller Laryngoscopes Standard Illumination Child / Infant Size



TI-22-200-15

Handle Standard Illumination
Size: Child / Infant
Handle options: Adult & Stubby

Standard Sets

Contents	Code
Set of 3 Blades Size 00, 0, 1 and Child Handle	TI-22-200-30
Set of 3 Blades Size 0, 1, 2 and Child Handle	TI-22-200-31
Set of 4 Blades Size 00, 0, 1, 2 and Child Handle	TI-22-200-40
Set of 4 Blades Size 0, 1, 2, 3 and Child Handle	TI-22-200-41

Sets available in hard case or soft pouch



TI-22-100-00

Miller Blade Standard Illumination
Size: 00



TI-22-100-01

Miller Blade Standard Illumination
Size: 0



TI-22-100-02

Miller Blade Standard Illumination
Size: 1



TI-22-100-03

Miller Blade Standard Illumination
Size: 2

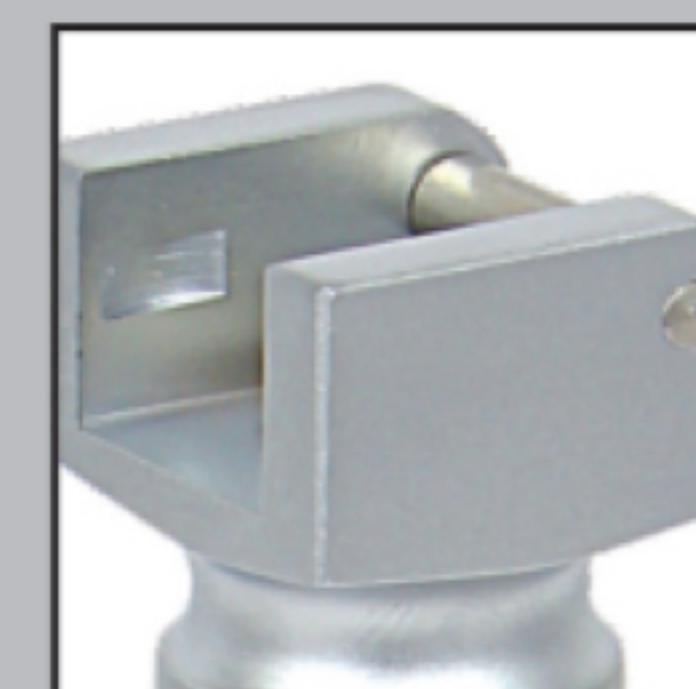


TI-22-100-04

Miller Blade Standard Illumination
Size: 3

Specification:

- Manufactured From AISI 304 Stainless Steel
- All Blades and Handles Compatible with ISO 7376 Standard
- Autoclavable
- Available in Halogen and LED Illumination
- Bulbs 2.5V
- Handles requires 2 x AA size batteries
- Hard Case and Soft Pouch available



Head



Handle



Blade

Miller Laryngoscopes

Fiber Optic Illumination

Adult Size



TI-23-100-00
Miller Blade Fiber Optic Illumination
Size: 0



TI-23-100-01
Miller Blade Fiber Optic Illumination
Size: 1



TI-23-100-02
Miller Blade Fiber Optic Illumination
Size: 2



TI-23-100-03
Miller Blade Fiber Optic Illumination
Size: 3



TI-23-100-04
Miller Blade Fiber Optic Illumination
Size: 4

TI-23-200-15
Handle Fiber Optic Illumination
Size: Adult
Handle options: Child & Stubby

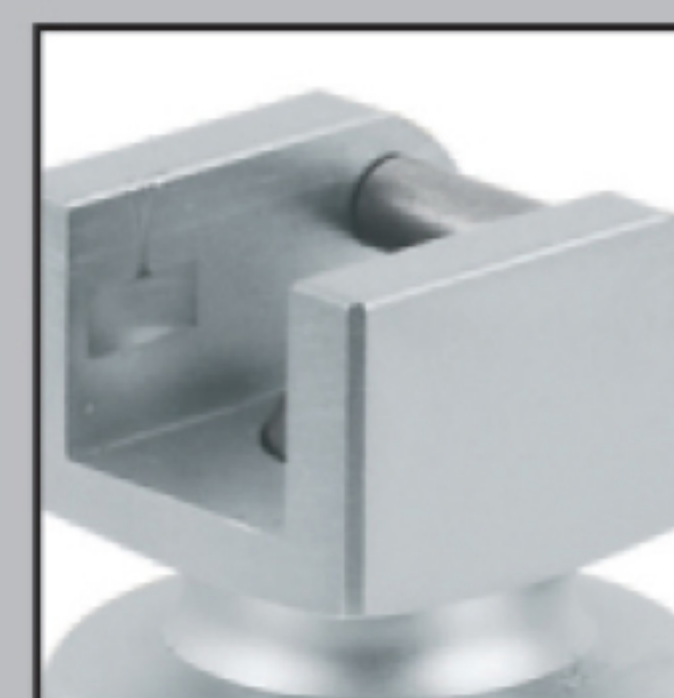
Standard Sets

Contents	Code
Set of 3 Blades Size 0, 1, 2 and Adult Handle	TI-23-200-30
Set of 3 Blades Size 1, 2, 3 and Adult Handle	TI-23-200-31
Set of 4 Blades Size 0, 1, 2, 3 and Adult Handle	TI-23-200-40
Set of 4 Blades Size 1, 2, 3, 4 and Adult Handle	TI-23-200-41

Sets available in hard case or soft pouch

Specification:

- Fiber Optic Handle with 3.5mm dia for improved light transmission and longer life.
- Manufactured From AISI 304 Stainless Steel
- All Blades and Handles Compatible with ISO 7376 Standard
- Autoclavable
- Available in Halogen and LED Illumination
- Bulbs 2.5V
- Handles requires 2 x C size batteries



Head



Handle



Blade

Mc – Intosh Integrated Laryngoscopes

Fiber Optic Illumination

Adult Size



TI-24-100-00

Mc - Intosh Blade Fiber Optic Illumination
Size: 00



TI-24-100-01

Mc - Intosh Blade Fiber Optic Illumination
Size: 0



TI-24-100-02

Mc - Intosh Blade Fiber Optic Illumination
Size: 1



TI-24-100-03

Mc - Intosh Blade Fiber Optic Illumination
Size: 2



TI-24-100-03

Mc - Intosh Blade Fiber Optic Illumination
Size: 3



TI-24-100-04

Mc - Intosh Blade Fiber Optic Illumination
Size: 4

TI-24-200-15
Handle Fiber Optic Illumination
Size: Adult
Handle options: Child & Stubby

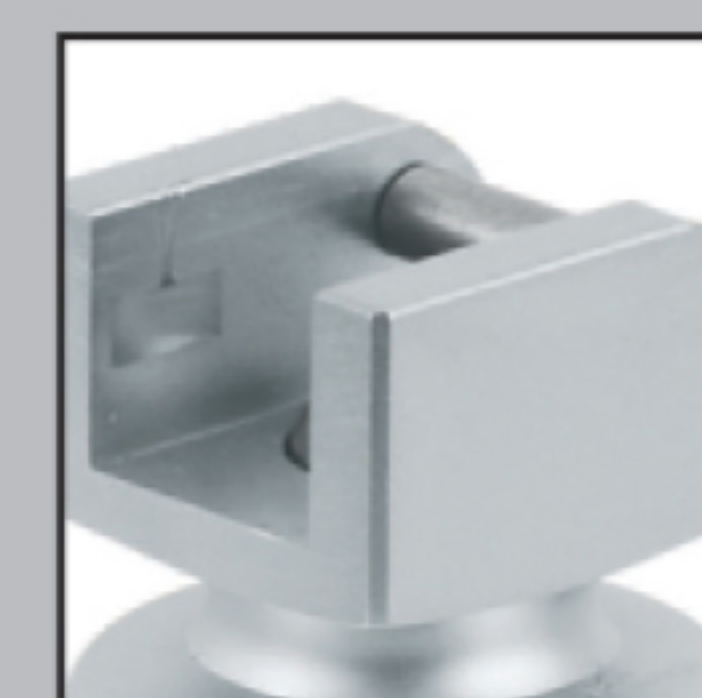
Standard Sets

Contents	Code
Set of 3 Blades Size 00, 0, 1 and Adult Handle	TI-24-200-30
Set of 3 Blades Size 1, 2, 3 and Adult Handle	TI-24-200-31
Set of 4 Blades Size 0, 1, 2, 3 and Adult Handle	TI-24-200-40
Set of 4 Blades Size 1, 2, 3, 4 and Adult Handle	TI-24-200-41

Sets available in hard case or soft pouch

Specification:

- Fiber Optic Handle with 3.5mm dia for improved light transmission and longer life.
- Manufactured From AISI 304 Stainless Steel
- All Blades and Handles Compatible with ISO 7376 Standard
- Autoclavable
- Available in Halogen and LED Illumination
- Bulbs 2.5V
- Handles requires 2 x C size batteries
- Hard Case and Soft Pouch available



Head



Handle



Blade

McCoy Flexi - Tip Laryngoscopes

Fiber Optic Illumination

Adult Size



TI-25-200-15
Handle Fiber Optic Illumination
Size: Adult



TI-25-100-00
McCoy Blade Fiber Optic Illumination
Size: 1



TI-25-100-02
McCoy Blade Fiber Optic Illumination
Size: 2



TI-25-100-02
McCoy Blade Fiber Optic Illumination
Size: 3



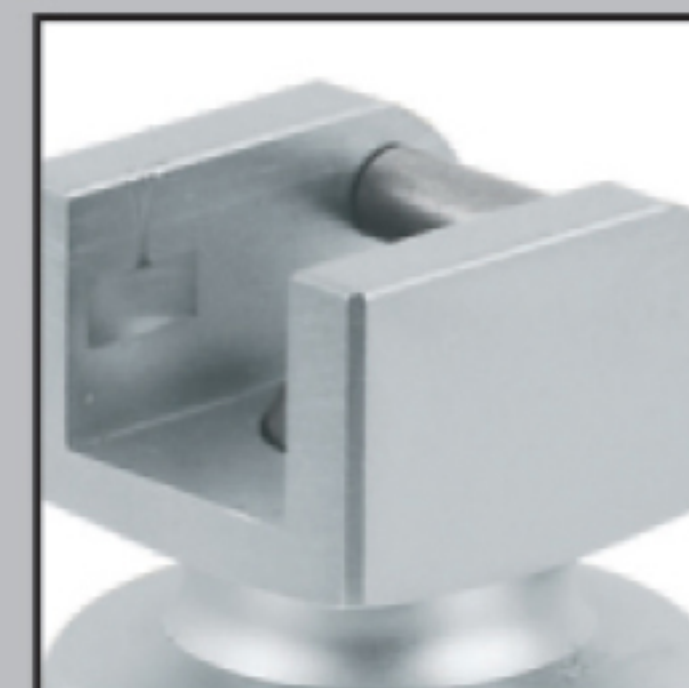
Standard Sets

Contents	Code
Set of 2 Blades Size 2, 3 and Adult Handle	TI25-200-30
Set of 2 Blades Size 3, 4 and Adult Handle	TI25-200-31
Set of 3 Blades Size 2, 3, 4 and Adult Handle	TI25-200-40

Sets available in hard case or soft pouch

Specification:

- Flexible Tip for difficult Intubation
- Fiber Optic Handle with 3.5mm dia for improved light transmission and longer life.
- Manufactured From AISI 304 Stainless Steel
- All Blades and Handles Compatible with ISO 7376 Standard
- Autoclavable
- Available in Halogen and LED Illumination
- Bulbs 2.5V
- Handles requires 2 x C size batteries
- Hard Case and Soft Pouch available



Head



Handle



Blade

McCoy Flexi - Tip Integrated Laryngoscopes

Fiber Optic Illumination

Adult Size



TI-26-200-15
Handle Fiber Optic Illumination
Size: Adult



TI-26-100-00
McCoy Blade Fiber Optic Illumination
Size: 1



TI-26-100-02
McCoy Blade Fiber Optic Illumination
Size: 2



TI-26-100-02
McCoy Blade Fiber Optic Illumination
Size: 3



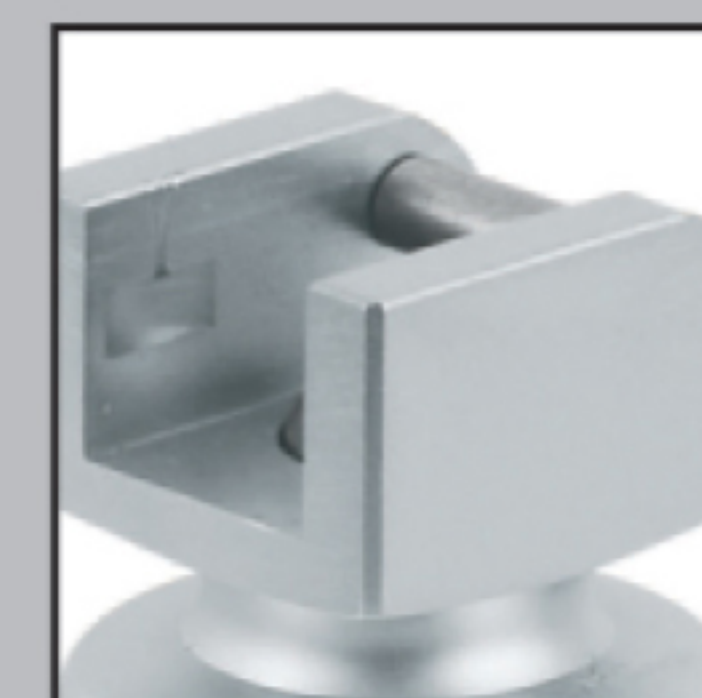
Standard Sets

Contents	Code
Set of 2 Blades Size 2, 3 and Adult Handle	TI-26-200-30
Set of 2 Blades Size 3, 4 and Adult Handle	TI-26-200-31
Set of 3 Blades Size 2, 3, 4 and Adult Handle	TI-26-200-40

Sets available in hard case or soft pouch

Specification:

- Flexible Tip for difficult Intubation
- Fiber Optic Handle with 3.5mm dia for improved light transmission and longer life.
- Manufactured From AISI 304 Stainless Steel
- All Blades and Handles Compatible with ISO 7376 Standard
- Autoclavable
- Available in Halogen and LED Illumination
- Bulbs 2.5V
- Handles requires 2 x C size batteries
- Hard Case and Soft Pouch available



Head



Handle



Blade

McCoy Flexi - Tip Laryngoscopes

Standard Illumination

Adult Size



TI-49-100-01
McCoy Blade Standard Illumination
Size: 2

TI-49-100-02
McCoy Blade Standard Illumination
Size: 3

TI-49-100-03
McCoy Blade Standard Illumination
Size: 4

TI-20-200-15
Handle Standard Illumination
Size: Adult

Standard Sets

Contents	Code
▪ Set of 2 Blades Size 2, 3 and Adult Handle	▪ TI-49-200-30
▪ Set of 2 Blades Size 3, 4 and Adult Handle	▪ TI-49-200-31
▪ Set of 3 Blades Size 2, 3, 4 and Adult Handle	▪ TI-49-200-40

Sets available in hard case or soft pouch

Specification:

- Flexible Tip for difficult Intubation
- Manufactured From AISI 304 Stainless Steel
- All Blades and Handles Compatible with ISO 7376 Standard
- Autoclavable
- Available in Halogen and LED Illumination
- Bulbs 2.5V

Mini Otoscope Fiber Optic Illumination



Color Options

TI-30-200-15
Mini Otoscope Fiber Optic
Complete Set of Disposable Cannulas

Specification:

- Manufactured From Plastic Material
- 3x Magnifying glass
- Available in Halogen and LED Illumination
- Bulbs 2.5V
- Handles requires 2 x AA size batteries
- Soft Pouch available in matching colors
- Fiber Optic Light Source

Otoscope

Standard Illumination



TI-51-100-01

Standard Illumination
 Brass Chrome plated
 Screw Lock fitting System
 Reusable speculas of 2mm, 3mm, 4mm



TI-51-200-01

Standard Illumination
 Brass Chrome plated
 Bayonet Lock Fitting System
 Reusable Speculas of 2mm, 3mm, 4mm



TI-50-300-01

Standard Illumination
 Veterinary Otoscope
 Brass Chrome plated
 Reusable Speculas of 4mm, 5mm, 6mm
 7mm

Specification:

- Manufactured From Brass Chrome plated
- 3x Magnifying glass
- Available in Halogen and LED Illumination
- Bulbs 2.5V
- Handles requires 2 x C size batteries
- Hard Case and Soft Pouch available

Otoscope

Fiber Optic Illumination



TI-50-100-01
 Fiber Optic
 Plastic Head with
 Brass Chrome plated Handle
 Complete set of Disposable
 Cannulas



TI-50-200-01
 Fiber Optic
 Brass Chrome plated
 Complete set of Disposable
 Cannulas



TI-50-300-01
 Fiber Optic
 Brass Chrome plated
 Complete set of Disposable
 Cannulas

TI-

Specification:

- Manufactured From Brass Chrome plated - Also available in Plastic Material Head and Brass Chrome plated Handle
- 3x Magnifying glass
- Available in Halogen and LED Illumination
- Bulbs 2.5V
- Handles requires 2 x C size batteries
- Hard Case and Soft Pouch available
- Fiber Optic Light Source

Ophthalmoscope

Standard Illumination



TI-52-100-01

Standard Illumination
 Brass Chrome plated
 Screw Lock fitting System
 Color Coded 24 lenses wheel
 from -20 to +40
 Rubber Eye Brow Rest
 Handle requires 2x C size batteries



TI-52-200-01

Standard Illumination
 Brass Chrome plated
 Bayonet Lock Fitting System
 Color Coded 24 lenses wheel
 from -20 to +40
 Rubber Eye Brow Rest
 Handle requires 2x C size batters



TI-52-300-01

Standard Illumination
 Full Plastic Material Construction
 Rubber Eye Brow Rest
 Handle requires 2x AA size batteries

APERTURES



LENS DIOPTRE

+ 1	2	3	4	6	8	10	15	20	Dpt.
- 1	2	3	4	6	8	10	15	20	

Specification:

- Available in Halogen and LED Illumination
- Bulbs 2.5V
- Hard Case and Soft Pouch available

ENT Diagnostic Set

Standard Illumination



TI-53-100-01
 Standard Illumination
 Otoscope Head
 3x Magnification
 Bayonet Lock fitting System
 Also available in Screw Lock
 Ophthalmoscope Color Coded 24 lenses wheel from -20 to +40
 Rubber Eye Brow Rest
 Handle requires 2x C size batteries
 Reusable speculas of 2mm, 3mm, 4mm
 Brass chrome plated and Plastic Construction



TI-53-200-01
 Standard Illumination
 Otoscope Head
 3x Magnification
 Bayonet Lock Fitting System
 Also available in Screw Lock
 Ophthalmoscope Color Coded 24 lenses wheel from -20 to +40
 Rubber Eye Brow Rest
 Handle requires 2x C size batters
 Reusable Speculas of 2mm, 3mm, 4mm
 Specula adaptor
 Complete set of Disposable Cannulas
 Brass Chrome plated and Plastic Construction



TI-53-300-01
Veterinary Diagnostic Set
 Standard Illumination
 Otoscope Head
 3x Magnification
 Bayonet Lock Fitting System
 Ophthalmoscope Color Coded 24 lenses wheel from -20 to +40
 Rubber Eye Brow Rest
 Handle requires 2x C size batters
 Reusable Speculas of 4mm, 5mm, 6mm, 7mm
 Spreadable Nasal Speculum
 Bent Arm Illuminator
 Tongue Depressor
 Brass Chrome plated and Plastic Construction

Specification:

- Available in Halogen and LED Illumination
- Bulbs 2.5V
- Hard Case and Soft Pouch available



USA

1233 Capitol Drive, Suite D
Addison IL 60101 USA
+1 773-997-3421
info@tritoneinc.net

South America

Rua Tocatis 26, sala 10-Jardiam Guanabara
13.211-818-Jundiai-SP-Brasil
info@tritoneinc.net

Overseas HQ

Stone Instruments Co.
10 Daska Rd, Sialkot
Pakistan 51310
+92 300 8610825

ISO 13485:2016 Certified
FDA Registered
9614093
3012256357
D-U-N-S # : 112392098